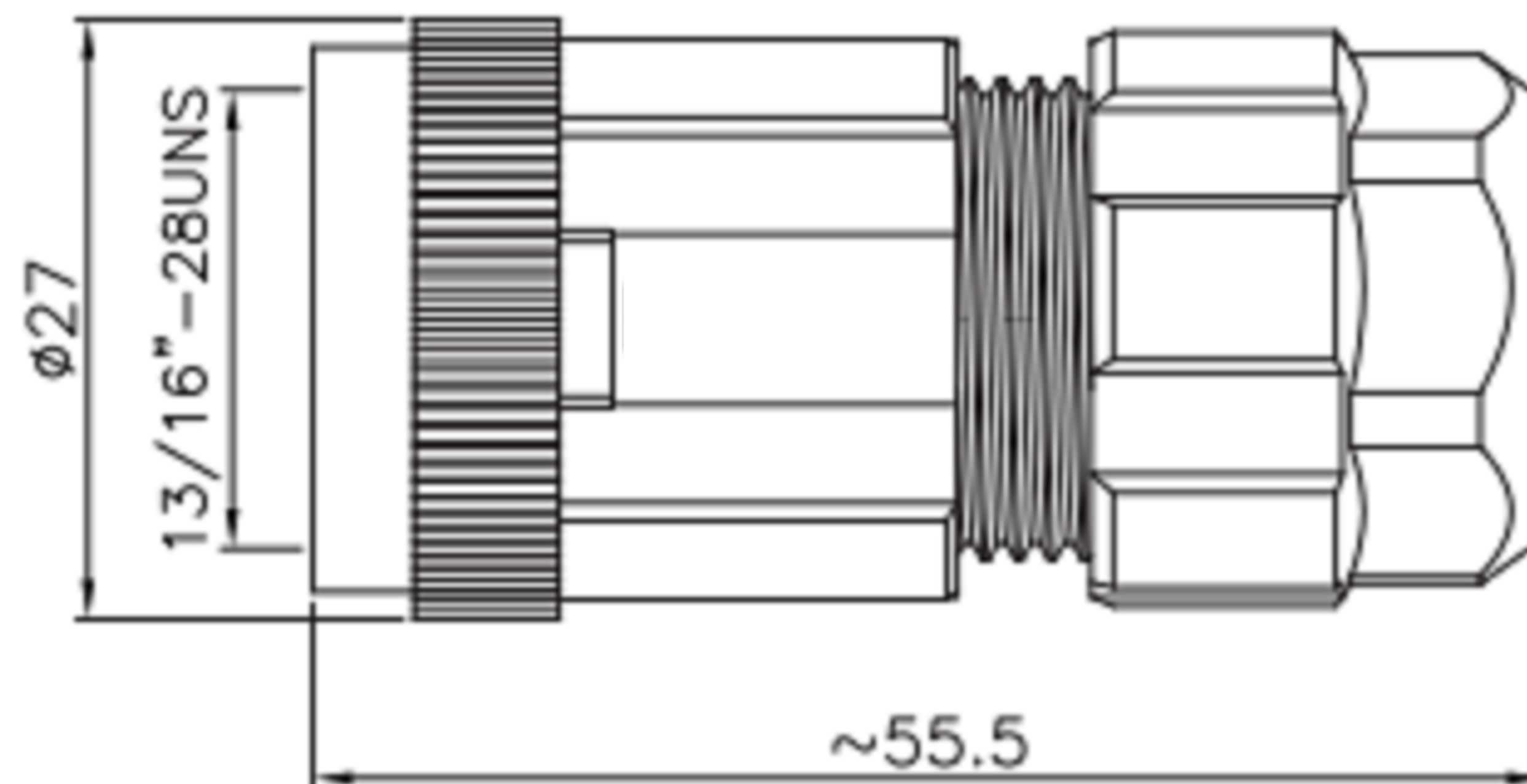




F1



F2



**FDDI单模塑胶插头(螺纹式)**  
**FDDI Single-mode Plastic Plug(Threaded)**

**E13T - M F1 - PRA - NR**

尾扣:  
 F1:FDDI单模单芯  
 F2:FDDI单模双芯



**产品参数** PRODUCT PARAMETERS

塑料材料 Plastic Material	PA66, 尼龙, 增强尼龙, 硅胶 PA66, Nylon, Reinforced Nylon, Silicone	绝缘电阻 Insulation resistance	≥100 mΩ DC500V
金属材料 Metal Material	铜镀金 Copper gold-plated	接触电阻 Contact resistance	30 mΩ
连接方式 Coupling	螺纹锁紧(T);卡扣锁紧(B) Thread (T); Bayonet(B)	适用温度 Applicable temperature	-40°C ~ +105°C
接线方式 Termination way	焊接、焊板 Solder, Welding plate	额定电流 Rated current	50 mA
插拔次数 Durability	≥500次(Cycles)	防水等级 Waterproof grade	IP67

**东莞市高迪电子有限公司**  
**DONG GUAN GAO DI ELECTRONICS CO., LTD**

TOLERANCE UNLESS OTHERWISE STATED:  
 Up to 5 ±0.2  
 Above 5 ~ 15 ±0.3  
 Above 15 ~ 30 ±0.4  
 Above 30 ~ 50 ±0.5  
 Angle ±0.3°

3RD. ANGEL'S

UNITS MM

DRAWN BY:	DATE	MAT'L	TITLE	CONNECTOR
Jack Lu	12/13/19		MODLE	E13T - M F1 - PRA - NR
CHECKED BY:	DATE	FINISH	DWG NO.	SIZE
Jacky Chen	12/13/19			A4
APPROVED BY:	DATE	SCALE	PART NO.	VER
Tony Kao	12/13/19	1 : 1		R1
		SHEET NO.	1 of 1	

ITEM NO.	DESCRIPTION	DRAWN	DATE